

INSTALLATION & ADJUSTMENT INSTRUCTIONS FOR SURE-LOC® SIGHTS AND ACCESSORIES

SIGHT SAVER

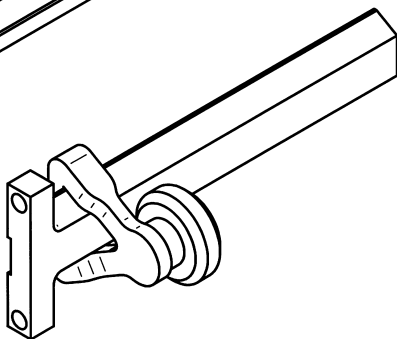
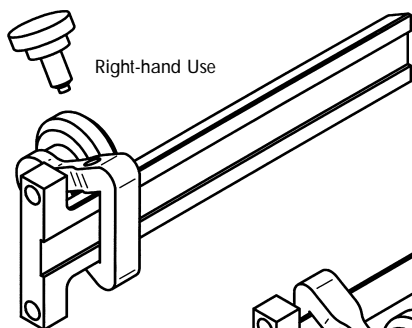
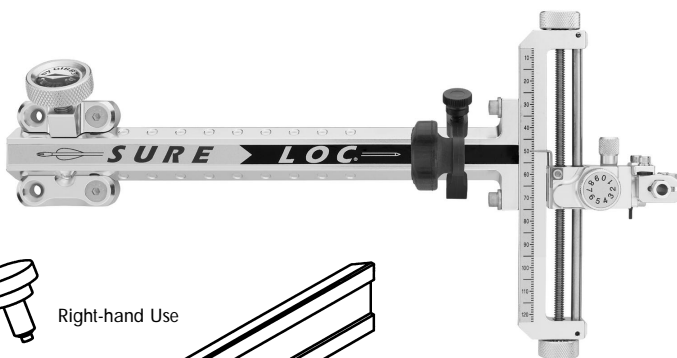
Manufactured exclusively for SURE-LOC® by Sims® (Limb Saver®), this accessory will help to minimize the wear and tear on your sight and scope due to destructive vibration from today's fast, high performance bows.

Recommended mounting instructions by Sims Vibration Laboratories®:

Slide the sight saver's dovetailed block over the extension bar with the rubber mushroom-shaped dampener facing the bow.

Position the sight saver approximately 1/2" to 3/4" from the "T" end of the extension and tighten the knurled thumbscrew.

- After extensive testing by Sims®, it was determined that this position yielded the best reduction of shock transmitted through the sight and scope than any other place on the sight. (Up to 60%)
- Newer extensions include a detent for proper sight saver positioning.



Left-hand Use