



LETHAL WEAPON®

SURE-LOC®

ARCHERY PRODUCTS

Sight Assembly	2
Mounting Sight on Bow:	
LW 1	2
LW 2	3
LW MAX	3
Set-Up and Adjustment:	
2-Axis Leveling	4
3-Axis Leveling	4
Windage Adjustment	5
Elevation and Pin Adjustment	5
Adding Pin Holders	7
Installing Fiber Pins	8
Replacing Fibers	9
Lens Adapter/Choke Tube	9
Light Kit	10

INSTALLATION & ADJUSTMENT INSTRUCTIONS

FOR LETHAL WEAPON®
MODEL 150 & MODEL 200
SIGHTS AND ACCESSORIES

SIGHT ASSEMBLY

Sight body to micro-windage

1. Remove twist-tie. Position tube containing the fiber between the two mounting holes on the offset bracket. Place the tube (U) into the windage block channel with the fibers pointing toward the windage knob (G).

Note: The offset bracket comes assembled on the sight head and it must be used. It allows the sight head to be mass moved up or down 1 3/4".

2. Insert (2) #6-32 x 3/8" allen screws (F), one with the lock washer in the round mounting hole and one with the flat washer in the slotted hole. Mount the head onto the front of the micro windage unit. Start with the middle holes and move to other holes, if needed. **(Do not over tighten.)**

Note: There are 4 sets of holes to allow mass movement left or right in 15/16" intervals and—with .650" of micro movement—there is a total of 1.50" windage adjustment possible.

3. Trim fiber to desired length.

FIGURE LEGEND

(A)	mounting block
(B)	windage clamp knob
(C)	elevation knob
(D)	level holder screws
(E)	pin adjustment track
(F)	windage screws
(G)	windage knob
(H)	elevation setscrews
(I)	guide rod setscrews
(J)	elevation sleeve
(K)	guide rod
(L)	elevation screw
(M)	guide rod fastening setscrews
(N)	elevation pin holder
(O)	thumbtack bushings
(P)	nylon ball
(Q)	5/40" setscrew
(S)	slide lock knob
(T)	stop knob
(U)	fiber tube
(V)	windage block channel

Mounting sight on bow

LETHAL WEAPON® 1

1. Install mounting block (A) on bow with (2) #10-24 x 7/8" flathead allen screws provided. **(See Figure 1)**
2. Insert extension into mounting block and secure it by turning the mounting block knob into one of the detents until snug. The two tapped holes are for a quiver mount bracket, if needed. (Use the provided quiver mount spacers.)

For left-handed set-up:

1. Install mounting block (A) on bow with (2) #10-24 x 7/8" flathead allen screws provided, with the mounting block knob facing down and the tapped quiver mount holes toward the back of the bow.

2. Insert extension into mounting block and secure it by turning the mounting block knob into one of the detents until snug.

3. Remove the (2) level holder screws (D) (#5-40 x 5/16" socket head cap screws) from pin guard and reinstall them with the level and holder on the opposite side.

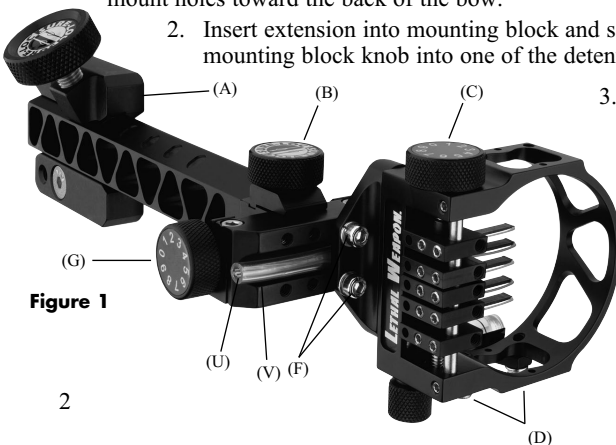


Figure 1

LETHAL WEAPON® HUNTING SIGHTS

LETHAL WEAPON® 2

1. Install sight's direct mount to the bow with (2) #10-24 x 5/8" flathead allen screws provided.
2. There are two sets of holes on the sight mount to allow you to move the sight in or out 3/4".
3. The 4 tapped holes to the rear are for a quiver mount, if desired.

For left-handed set-up:

1. Install sight and direct mount with windage clamp knob (B) on the bottom.
2. Remove the 2 level holder screws (D) (#5-40 x 5/16" socket head cap screws) from pin guard and reinstall them with the level and holder on the opposite side.



Figure 2

LETHAL WEAPON® MAX

1. Install slide direct mount to bow with (2) #10-24 x 5/8" flathead allen screws provided.
2. Use the (2) stand-offs and screws provided to mount a quiver to the slide direct mount. This will allow clearance for proper sight movement.

For left-handed set-up:

1. Install sight and slide direct mount with knobs on the bottom.
2. Remove the 2 level holder screws (D) (#5-40 socket head cap screws) from the pin guard and reinstall them with the level and holder on the opposite side.
3. Remove stop knob (T)—see Figure 6 on page (7)—and stop assembly and reinstall on opposite side.

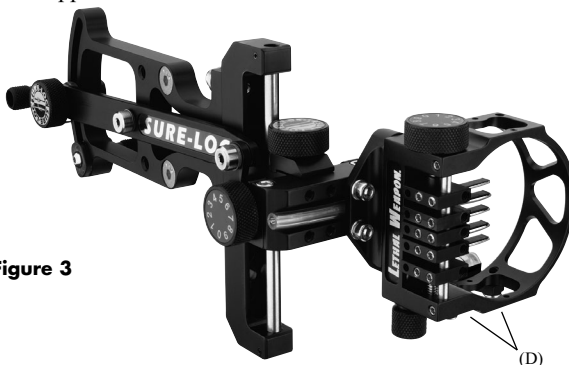


Figure 3

SET-UP AND ADJUSTMENT

2-Axis Leveling (See Figure 4)

1. With sight mounted on the bow, loosen the (2) #6-32 allen screws (F) that connect the sight body to the windage unit.
2. Draw the bow back to your natural shooting position and make adjustments to the level until the bubble centers.
3. Re-tighten both #6-32 allen screws.

3-Axis Leveling (See Figure 4)

Method 1

1. For centerline arrow impact on severe up or downhill shots, you will need to shoot several arrows downhill, then several arrows uphill without moving the sight's windage.
2. Loosen both #5-40 level holder socket head cap screws (D).
3. Centerline miss adjustments are opposite for right- and left-handed use:

Right-handed:

A consistent downhill miss to the right or an uphill miss to the left indicates the level should be pulled toward you. A consistent downhill miss to the left or an uphill miss to the right indicates the level should be pushed away from you.

Left-handed:

A consistent downhill miss to the right or an uphill miss to the left indicates the level should be pushed away from you. A consistent downhill miss to the left or an uphill miss to the right indicates the level should be pulled toward you.

4. Re-tighten the level holder socket head cap screws (D).
Note: Adjusting in this manner will not affect your impact on level ground.
5. Repeat steps 2 through 4 until correct center-shot impact is attained.

Method 2

1. Hold a small level against pin adjustment track (E) on side of frame.
2. Point bow approximately 30° down angle.
3. Match LETHAL WEAPON® level to the small hand-held level by loosening both #5-40 level holder socket head cap screws (D) and pivoting the level bracket.
4. Re-tighten the level holder socket head cap screws (D).

LETHAL WEAPON® HUNTING SIGHTS

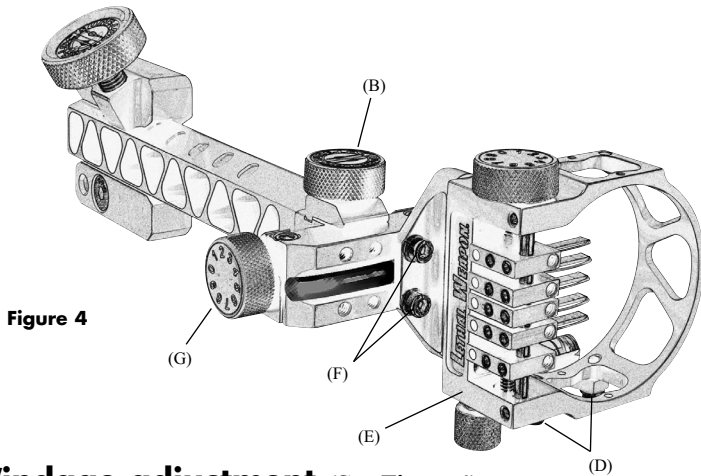


Figure 4

Windage adjustment (See Figure 4)

Micro-adjust:

There is about .650" of micro movement.
Loosen locking clamp knob (B) and turn windage knob (G) to the desired position; then re-tighten locking clamp knob.

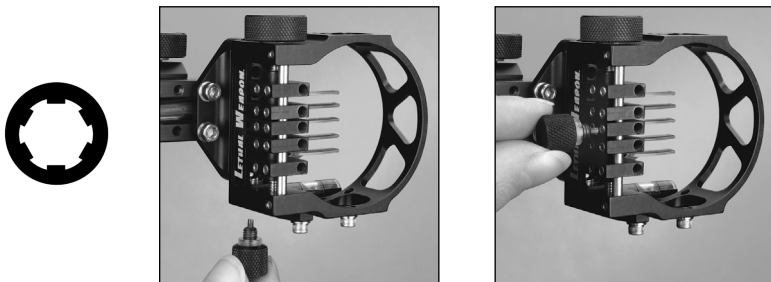
Mass-adjust:

There are (4) sets of holes to allow more movement left or right. The holes are 5/16" apart for a total of 15/16".
Loosen the two #6-32 screws (F) that mount the sight head to the windage and move to desired set of holes.

Note: There is a total of about 1.50" of left and right movement.

Elevation and pin adjustment

The LETHAL WEAPON® frame includes an integrated spline wrench tool. The spline set-screws—designed to hold up to frequent tightening and resetting—make pin adjustments a snap.



LETHAL WEAPON® HUNTING SIGHTS

LETHAL WEAPON® 1 and 2 (See Figure 5)

Single pin adjustment

1. Tighten elevation setscrew (H) and loosen guide rod setscrew (I). Turn elevation knob (C) to adjust pin position.
Note: To keep other pins stationary during this process, be sure that their elevation setscrews (H) are loose and their guide rod setscrews (I) are tightened.
2. Once that pin is set, loosen elevation setscrew (H) and tighten guide rod setscrew (I). Continue to the next pin and repeat steps.

Gang elevation adjustment

1. Tighten all elevation setscrews (H) and loosen all guide rod setscrews (I). Turn elevation knob (C) for desired positioning.
2. Re-tighten all guide rod setscrews (I).

Note: While adjusting sight, it may be necessary to move elevation sleeve (J) back to center of travel to allow for greater range of pin adjustment. To do this, loosen all elevation setscrews (H) and tighten all guide rod setscrews (I). Turn elevation knob (C) until elevation sleeve (J) is repositioned in frame.

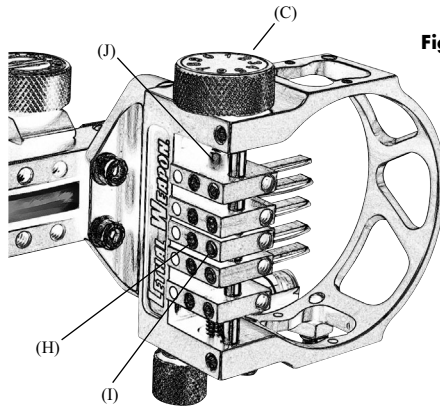


Figure 5

LETHAL WEAPON® MAX (See Figures 5 and 6)

1. Use the same elevation and pin adjustments as LETHAL WEAPON® 1 and 2. But before starting, loosen 3/4" lock knob (S) and position the slide toward the bottom of the slide travel.—This will allow for the maximum adjustment of yardage on the slide. **Note:** If needed, use the mass adjustment of the offset bracket to get the pin in the position of the sight window that's preferred.
2. Slide elevation adjustment:
 - a. With the pins set (example 20, 30, 40 yards or your choice), loosen small knob (T) on the stop and position it to the bottom of the long slide arm.
Note: The stop will allow the sight to be moved for longer yardage and, when returned to the stop, the pins will be in their starting (example 20, 30, 40 yards) position.

LETHAL WEAPON® HUNTING SIGHTS

- b. To adjust for longer yardage: Using the bottom pin as the sight pin, loosen the 3/4" lock knob (S) and slide up—which moves the pin down—to the desired yardage and mark the sight tape. Continue this step until all the yardages needed are achieved. **Note:** Always lock knob before shooting.
- c. Loosen 3/4" lock knob (S) and return it to the stop: The pins are back in their starting position. (Example 20, 30, 40 yards)

Depending on the speed of your bow, yardages of 100 plus can be achieved. **(USING THESE YARDAGES FOR HUNTING SITUATIONS ARE NOT RECOMMENDED UNLESS YOU ARE CAPABLE OF MAKING A CLEAN KILL SHOT WITH THEM.)**

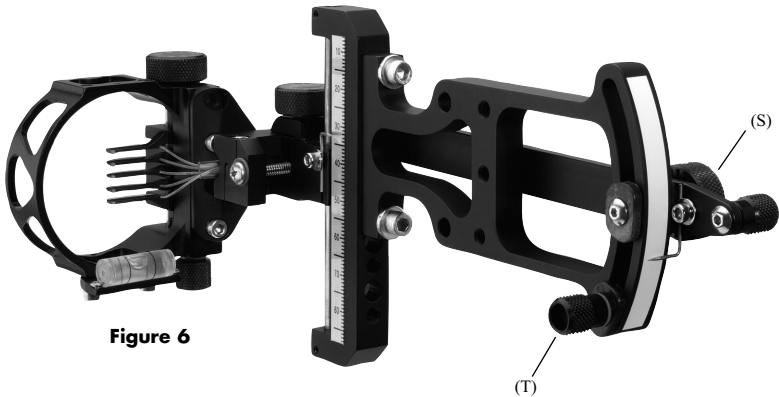


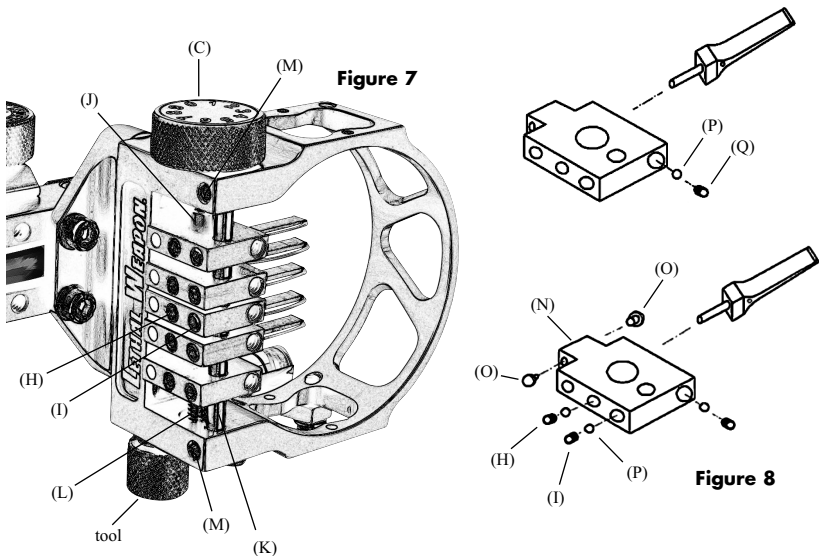
Figure 6

Adding pin holders (See Figures 7 and 8)

1. Loosen setscrew on elevation knob (C) and remove knob.—Be careful not to lose the steel ball or the spring under the knob.
2. Loosen all elevation pin holder setscrews (H and I) on elevation sleeve (J) and guide rod (K).
3. Remove #6-32 x 2" elevation screw (L) from elevation sleeve (J) and frame. Do not remove elevation sleeve (J).
4. Loosen the (2) #5-40 setscrews (M) that retain the guide rod (K). Slide guide rod partially out through the top. Leave just enough gap on the bottom of the sight to insert another elevation pin holder. **Note:** You may have to slide the existing elevation pin holders up on the elevation sleeve and guide rod.
5. Take the elevation pin holder (N) that you want to add to the sight and install (2) thumbtack bushings (O). Insert the pin holder into the opening of the frame at the bottom of the sight and slide it on the guide rod (K) and elevation sleeve (J).

LETHAL WEAPON® HUNTING SIGHTS

6. Slide the guide rod (K) back down through the frame. Reseat the (2) setscrews (M) to fasten guide rod.
7. Re-insert the elevation screw (L) and nylon washer through the bottom of the frame and thread through elevation sleeve (J).
8. Reinstall spring and ball and reinstall elevation knob (C). Adjust and tighten setscrew in knob.
9. Refer to the Section “Elevation and Pin Adjustment” starting on page (5) for the instructions to move elevation pin holders.



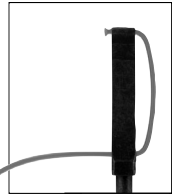
Installing pins in the sight (See Figures 7 and 8)

1. Slide pin into elevation pin holder (N) and push the pin all the way to the shoulder of the pin.
2. Insert nylon ball (P) into tapped hole.
3. Install 5/40" setscrew (Q) into tapped hole, align the pin and snug the screw with spline key wrench provided.
4. Repeat steps 1 through 3 for other pins.
5. After all pins are located in position, tighten setscrews (Q).
(Do not over tighten.)

Replacing a fiber on the pins

Thin pin (uses long fiber)

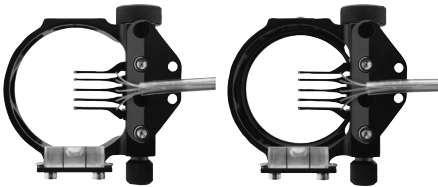
1. Remove old fiber.
2. Using heat source (**do not use open flame**) no hotter than 160°F, carefully expand one end of new fiber. A slight flare is enough to keep the fiber from slipping out of the pin.
Note: For best light gathering capabilities, smooth end of fiber while hot.
3. Slip the unexpanded end of the fiber through the end pin hole until the flared end is close to the pin.
4. Insert the fiber through the other pin hole. Gently pull fiber through and carefully push on the looped part of the fiber, until you get a loop that is about 3/16" to 1/4" from back of pin. (**Be careful not to kink fiber.**)
5. Insert the provided, short clear tube into the windage block channel—a half-round space behind the head assembly. Skip this step, if the sight already has the tube in place.
6. Slide the long end of the fiber through the clear tube. It will extend beyond the tube. Trim fiber to desired length.



LENS ADAPTER/CHOKE TUBE

This accessory allows you to use the Black Eagle 42mm lens on the LETHAL WEAPON® 1, 2 and MAX (Model 200 only).

1. Slide adapter into pin guard.
2. Fasten on top and bottom with provided screws.
3. Screw lens clockwise into adapter.



Use the choke tube alone to provide extra protection for your pins and reduce the viewing diameter from 2" to 1 11/16".

LIGHT KIT FOR LETHAL WEAPON® 1, 2 AND MAX

This fingertip controlled, brightness adjustable light can be mounted so it aims up or down on your fibers.

Mounting instructions

On top shining down:

1. Place the light/bracket assembly on the top of the pin guard with the nose of the light pointing down.
2. Install the (2) 5-40 socket head cap screws and washers.
3. Tighten screws.

Note: When using a lens adapter/choke tube, mount the light on top with its nose toward the archer.

On bottom shining up:

1. Remove level and bracket.
2. Remove level from the bracket—retain the level and screws for the next step.
3. Install the level and screws to light/bracket assembly.
4. Place the light/bracket assembly on the bottom of the pin guard with the nose of the light pointing up.
5. Install the (2) 5-40 socket head cap screws and washers and tighten screws.



Adjustable brightness operation

1. Press button to turn light on or off.
2. Press and hold button to control brightness.

From off:

- Release at desired brightness. Light will blink at full brightness.

From on:

- Release at desired dimness. Light will blink at lowest light level.
3. For safety beacons, patiently press button and hold past blink. You can choose slow beacon, medium beacon, fast flash, or S.O.S.

Note: If light turns on properly, but then turns off by itself, the light is in “demo” mode. To remove “demo” mode, turn light back on; then simply press and hold button until light turns off—about 20 seconds. Continue with normal operation.

Battery replacement

1. Carefully pry up on the light housing and remove from bracket/cap.
Note: The light housing detaches from the light cap and bracket assembly, which both stay on the sight.
2. Replace with (2) cr-2016 Lithium batteries. Install the (+) side toward the cap. Be sure top of battery is under the metal strap.
3. Replace the light housing and snap shut.

Note: In the event of water penetrating the light case, simply open the case and allow to dry.



Warranty

All SURE-LOC archery products (with the exception of film-dipped finish, fiber optic pins and scope lenses) are guaranteed against defects in both workmanship and materials for two years from the date of purchase. After the two-year warranty period is over, repairs and replacements will be subject to charge. Please call C.S. Gibbs Corporation at 812/689-9926 to determine what the charge might be.

C.S. Gibbs Corporation or an authorized SURE-LOC dealer **MUST** perform any warranty work. In the event the product needs to be returned to C.S. Gibbs Corporation, please contact C.S. Gibbs Corporation Customer Service for a RETURN AUTHORIZATION (RA#) NUMBER and shipping instructions. A RETURN AUTHORIZATION (RA#) NUMBER must be obtained by calling C.S. Gibbs Corporation at 812-689-9926 between the hours of 8AM and 4:30PM EST. Please send accompanying documentation, such as dated sales receipt showing the purchase date of the product and a short note explaining the nature of the problem. The RA# you are given must be written on the outside of the shipping container.

Any evidence of modification or abuse will void the warranty. If a repair charge is necessary, the customer will be notified prior to the repair.

C.S. Gibbs Corporation makes no other claims either expressed or implied. In the interest of product improvement and consumer safety, C.S. Gibbs Corporation reserves the right to make changes in product design, color and specifications without notice.

US Patent #RE36,266
Copyright © 2009 C.S. Gibbs Corporation

PUB# PF43324—0509

SURE-LOC[®]

ARCHERY PRODUCTS

C.S. Gibbs Corporation
100 W. Quality Lane, Versailles, IN 47042
phone 812/689-9926 • fax 812/689-9927
www.sureloc.com