

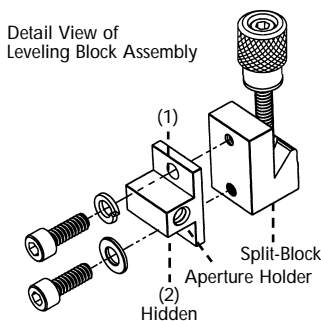
APERTURE HOLDER

The aperture holder is designed to fasten either a level or non-level equipped aperture to the split-block. The aperture holder comes assembled with the leveling block assembly, but can be replaced if needed. Follow instructions below to attach to a split-block.

Assembly to a split-block

Hole (1) of the aperture holder mounting holes (typically on the top) is round and allows pivoting of the aperture holder against the split-block around a locking screw. Hole (2) of the mounting holes is oval-shaped and restricts the aperture holder to a limited rotation around pivot hole (1), with a second locking screw in position.

Place screw with lock washer in place through the round mounting hole (1) into the top threaded hole of the split-block. Place the second locking screw with flat washer in place through the aperture holder's oval shaped hole (2) into the bottom-threaded hole of the split-block. You have made a leveling block assembly. If you have a leveled aperture, please read the information about the leveling block assembly, then proceed to "Two-Axis Leveling" to complete your setup.



LEVELING BLOCK ASSEMBLY

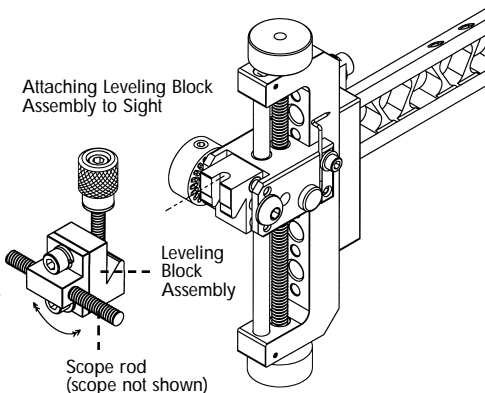


The leveling block assembly (LBA), with its patented split-block design, is designed for quick removal and precise reattachment of a leveled sighting aperture (scope or pin equipped with level) to your SURE-LOC® sight. By loosening the knurled knob on the top of the leveling block assembly—approximately three (3) turns—the leveled sighting aperture can be removed from the sight for safe storage or travel.

All leveling adjustments made to the leveling block assembly are retained, even when the scope and assembly are removed from the sight.

Reinstall the assembly by simply reversing the process and tightening the knurled knob. Additional leveled apertures could be set up with leveling block assemblies to be used for backup or for different shooting conditions, and changed as needed. Your scope(s) will remain leveled.

When the aperture's level is square with the sight frame ("two-axis leveling"), consistent right and left arrow impact on level ground can be maintained over a wide range of distances. If you have problems with consistent arrow impact when shooting uphill or downhill, consider SURE-LOC®'s cam-assist 3-axis leveling block. The leveling block assembly comes pre-assembled, ready to attach and levels your aperture to your sight.



Attaching your scope to leveling block

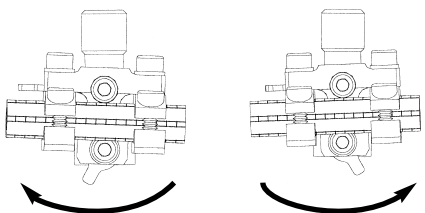
First, set the windage adjustment on your sight to the middle of its adjustment range. Attach the leveling block assembly to your sight. Thread one locking nut onto the threaded aperture rod. Screw the threaded aperture rod through the aperture holder to the approximate center shot position of the bow. Thread the second locking nut onto the threaded aperture rod and secure both nuts against the aperture holder to prevent rod rotation. You are now ready to level your scope to the sight. See "Two-Axis Leveling Techniques."

INSTALLATION & ADJUSTMENT INSTRUCTIONS

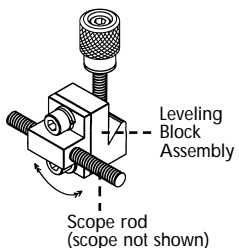
FOR SURE-LOC® SIGHTS AND ACCESSORIES

2-Axis leveling techniques

Hold the sight frame in a true vertical position using a good carpenter's level. A vertical object known to be square, such as a door edge or frame, can work well also. Loosen the locking screws and rotate the aperture level to the square position and re-tighten screws. The SURE-LOC® leveling device can also be used for two-axis leveling and is portable, too.



Cam-Assist 3-Axis Leveling Block
-US Patent #7,331,112-



Standard Leveling Block Assembly